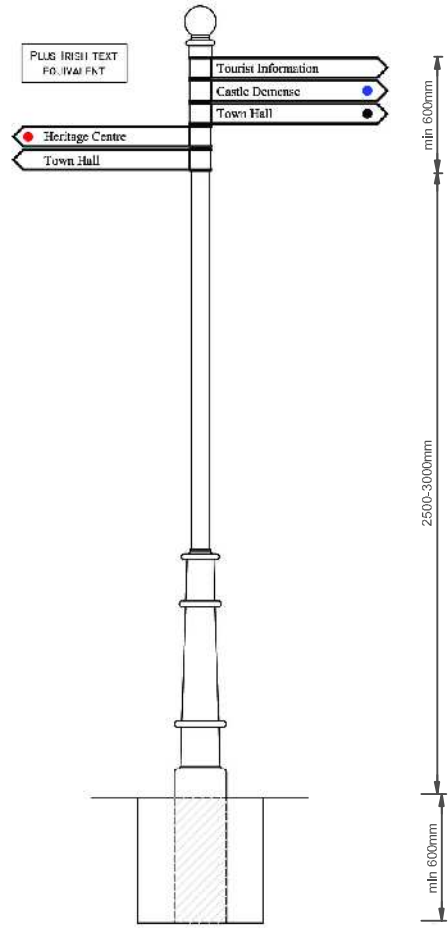


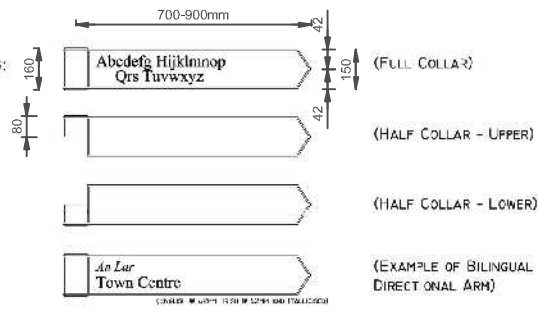
NOTE 1:
PRODUCT TO SIMILAR & APPROVED

NOTE 2:
GREEN PAINTED COLOURED SIGNS ARE PROPOSED FOR THE HERITAGE TRAIL.
ALL OTHER GENERAL AREAS SHALL BE BLACK PAINTED SIGNS

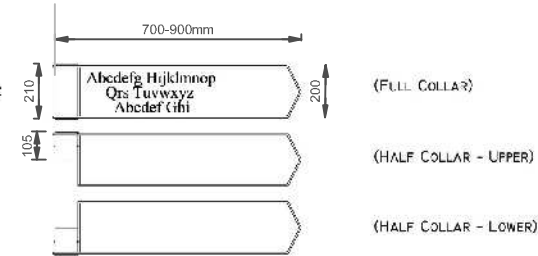
ELEVATION:



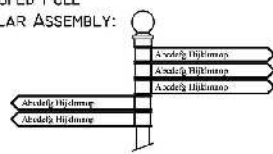
DOUBLE LINE TEXT STRING:



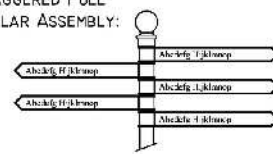
TRIPLE LINE TEXT STRING:



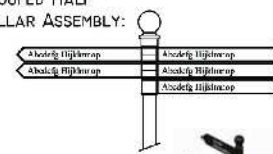
GROUPED FULL COLLAR ASSEMBLY:



STAGGERED FULL COLLAR ASSEMBLY:



GROUPED HALF COLLAR ASSEMBLY:



NOTES:

GENERAL
- ALL DIMENSIONS IN MILLIMETERS
- DO NOT SCALE FROM THIS DRAWING

DIRECTIONAL FINGER ARMS

- One piece cast aluminium double sided, with integral collar
- Smooth glass finish
- Raised lettering
- Raised symbols
- Raised border

SUPPORT POSTS

- Galvanised circular hollow steel sections, 89mm or 76mm diameter, running full length
- Fitted with ornate cast iron column base, and ball-top
- Smooth glass finish

PLEASE NOTE

- All fingers to be bilingual
- Irish and English to be same size font
- Irish to be in italics

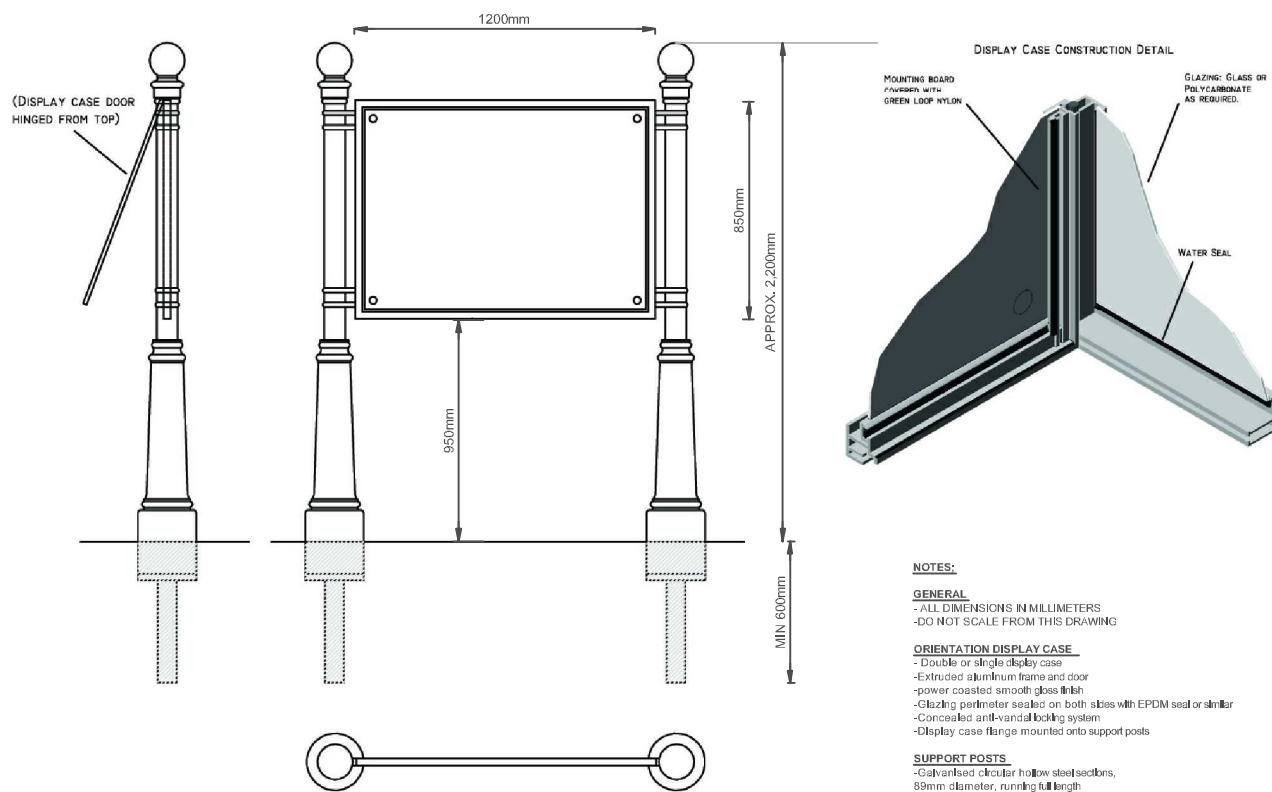
D17 HISTORIC FINGER POST DETAILS NTS

NOTE 1:
PRODUCT TO SIMILAR & APPROVED

NOTE 2:
GREEN PAINTED COLOURED SIGNS ARE PROPOSED FOR THE HERITAGE TRAIL.
ALL OTHER GENERAL AREAS SHALL BE BLACK PAINTED SIGNS



LARGE ORIENTATION PANEL SIGN



NOTES:

GENERAL
- ALL DIMENSIONS IN MILLIMETERS
- DO NOT SCALE FROM THIS DRAWING

ORIENTATION DISPLAY CASE

- Double or single display case
- Extruded aluminium frame and door
- Power coated smooth glass finish
- Glazing perimeter sealed on both sides with EPDM seal or similar
- Concealed anti-vandal locking system
- Display case flange mounted onto support posts

SUPPORT POSTS

- Galvanised circular hollow steel sections, 89mm diameter, running full length
- Fitted with ornate cast iron column base and ball-top
- Smooth finish

D18 INTERPRETIVE SIGNAGE PANEL DETAIL NTS

REV	DATE	BY	DESCRIPTION
C	05/05/09	NS	TEXT & GRAPHIC AMENDMENTS
B	09/03/09	NS	TEXT & GRAPHIC AMENDMENTS

DO NOT SCALE - figured dimensions only to be taken from this drawing

<p>Tipperary Hills Improvement Programme</p> <p>Landscape Details - Signage</p>	<p>Scale: As shown</p> <p>Date: 10th Feb. 09</p> <p>Job No: 5589</p>	<p>Status: Information</p> <p>Drawn: NS</p> <p>Checked: LD</p> <p>Passed: DBos</p> <p>Rev: C</p>
<p>BRADY SHIPMAN MARTIN LANDSCAPE ARCHITECTS</p> <p>DUBLIN: Unit 33, Webworks, Eglington Street, Cork Tel: +353 (0)21 4250670 Fax: +353 (0)21 4250671 Email: cork@bradymartin.com</p> <p>LIMERICK: Unit 33, Webworks, Eglington Street, Cork Tel: +353 (0)21 4250670 Fax: +353 (0)21 4250671 Email: cork@bradymartin.com</p>		